

Everhub Portable Server



Inflight Dublin's next generation portable wireless server is DO-160G certified, making it the safest and most reliable portable server in the airline market. The server can be operated by battery power or aircraft power, and delivers secure high definition browser-based DRM content to 100 passengers per unit. The Everhub™ portable server minimises operational costs through its hot-swappable battery configuration and remote loading of content.



Wireless streaming using the Everhub server:

- Preloaded with Everhub™ software for inflight entertainment and ancillary services
- Supports secure Digital Rights Management (DRM) content streamed to browsers (no app necessary)
- Enables whole aircraft connectivity
- Available as a standalone portable box using batteries or aircraft-powered option
- Hot swappable batteries: Change battery without powering off the server
- Crew control via touch screen or wireless connection

Technical Features:

- 4.3in LCD touchscreen interface
- 2 x 96Wh batteries giving up to 14 hours operation
- Removable content hard drive (1TB - 3TB) - instant content updates with simple hard drive swap
- D-Link WAP streaming on 2.4 GHz & 5.0 GHz
- 3G/4G/LTE SIM for daily data transfer
- Passive-cooled processor with Ubuntu 20.04.2 LTS
- Dimensions: 267mm width x 205mm depth x 160mm height (10.5in x 8.1in x 6.3in)
- Weight: 3.4kg

Outline Dimensions

Fig. 1 - Unit Front

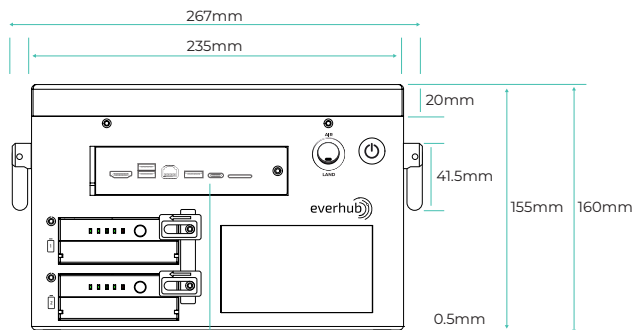


Fig. 2 - Unit Side

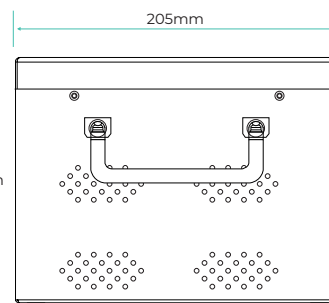
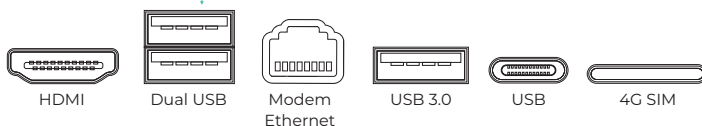
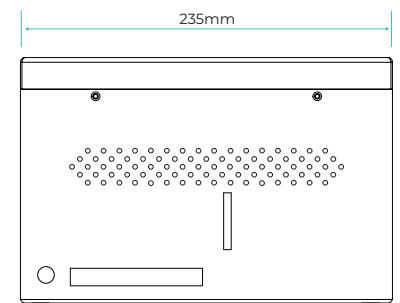


Fig. 3 - Unit Rear



For further information on all our services please contact us at:
mail@inflightdublin.com | inflightdublin.com | [in](#) [fl](#) [tw](#)

Everhub Portable Server



Everhub Portable Server Specifications

Mechanical Specifications	Server weight: 3.4kg - Battery weight: 0.56kg (each)
	Dimensions: 267mm width x 205mm depth x 164mm height (10.5in x 8.1in x 6.3in)
	Materials: Sheet metal housing with plastic WAP cover
	Mounting: Base plate available
	Cooling: No external cooling required. Passive cooling Processor
Electrical Specifications	Portable (battery) use: 24V DC Input, 4A Max
	Aircraft Powered use (no battery in use): 28V DC input, 0.85A Max - Battery charging capability disabled for aircraft powered versions - No batteries are provided when connected to aircraft power (battery enclosure is covered)
	256GB internal storage and 1TB - 3TB removable SSD content storage
	System memory: 8GB RAM
	Other Inputs: One USB 3.0 connector, two USB 2.0 connectors, one USB-C, Bluetooth module, ADS-B receiver module, 3G/4G/LTE Network module (SIM card required)
	Other Outputs: WAP supporting 2.4 GHz and 5.0 GHz, HDMI connector, Bluetooth module, 3G/4G/LTE Network module (SIM card required) 3G/4G/LTE modem is not used when in flight, modem is turned on/off using AIR/LAND switch.
	Ports Available: HDMI port, Industrial Ethernet LAN port (RJ-45)
	USB for data upload or external device connection
	Internal Protection: Fuse for short circuit condition and thermal switch for overheat condition
	Wi-Fi Frequency: 2.4 GHz (802.11b, 802.11g, and 802.11n) and 5.0 GHz (802.11a, 802.11n, and 802.11ac) bands
	Wi-Fi Data rate: 400 Mbps (256-QAM) over 2.4 GHz, 900 Mbps over the 5.0 GHz
	Wi-Fi EIRP: < 20 dBm (100 mW)
	Certification
Battery: UL2054, IEC62133, UN38.3, CE and FCC	
T-PED testing not required (subject to aircraft operator using CAT.GEN.MPA,140)	
EASA /FAA approved minor modification, including installation kit with Form 1, for Aircraft Powered option	